

Dimensions in millimetres

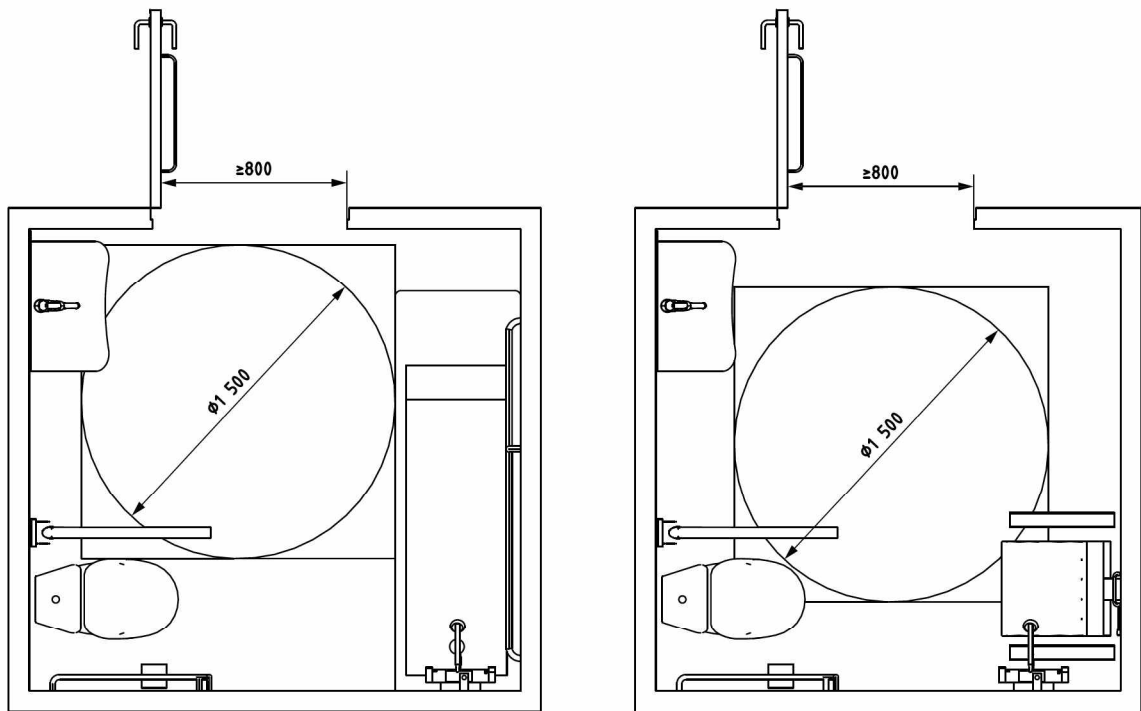
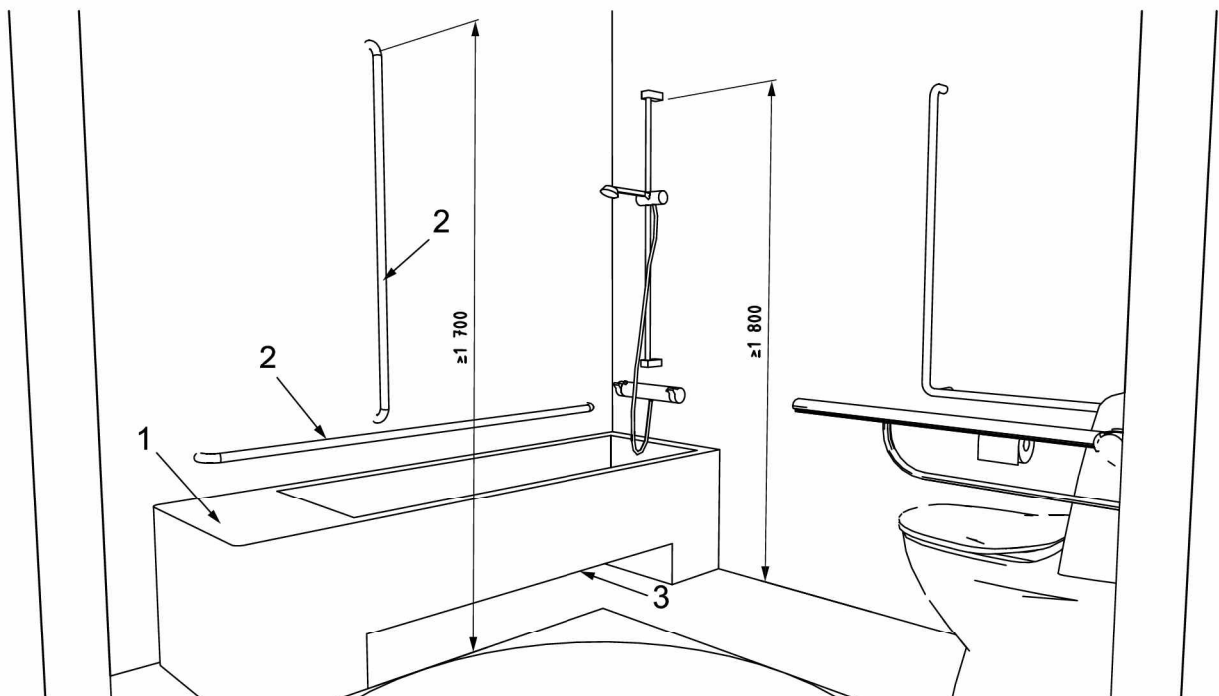


Figure 46 — Examples of a bathroom with bathtub and shower for independent use with a corner WC

Dimensions in millimetres



Key

- 1 transfer area
- 2 grab rail
- 3 opening for hoist

Figure 47 — Example of grab rails and transfer facilities surrounding the bathtub